



The Quality Profile



MATRIX SS88

VEKA MATRIX SS88 sliding system was, as the whole MATRIX product line, developed with large projects in mind.







This cost-optimized 3-chamber sliding window and sliding door system can meet most budget constraints for large projects but also fulfills all technical specifications for projects which do not require especially high insulation values. The MATRIX SS88 provides various frame designs, including 3rd half-rail for an in-line fly-net as well as a full 3rd track for 3 full sashes, stackable at one side to allow an opening ratio of 67%. Combination windows can be fabricated easily and seamlessly in combination with the MATRIX AD60 profile range.

- ◆ System U_f 2.3 W/m²·K (including steel reinforcements)
- ◆ System depth 88mm – 3 Chambers
- ◆ Glazing width range from 4mm to 24mm
- ◆ Available in profile wall thickness “Class A” and “Class B”

U-Values by Glass configuration

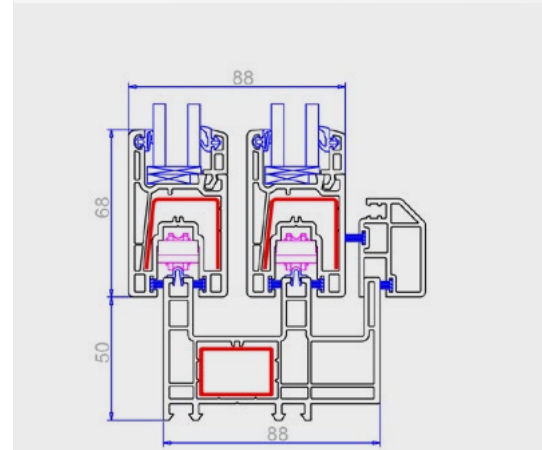
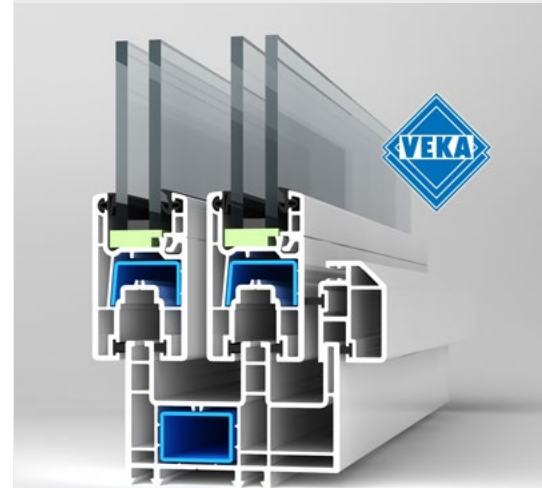
U-Value Std window	Glass Thickness	Glass Configuration	Glass U-Value
2.2 W/m ² ·K	22/24 mm	5ssLow-E+12/14A+5	1.75 W/m ² ·K
2.3 W/m ² ·K	19 mm	5ssLow-E+9A+5	2.0 W/m ² ·K
2.7 W/m ² ·K	22/24 mm	5+12/14Ar+5	2.5 W/m ² ·K

Color options

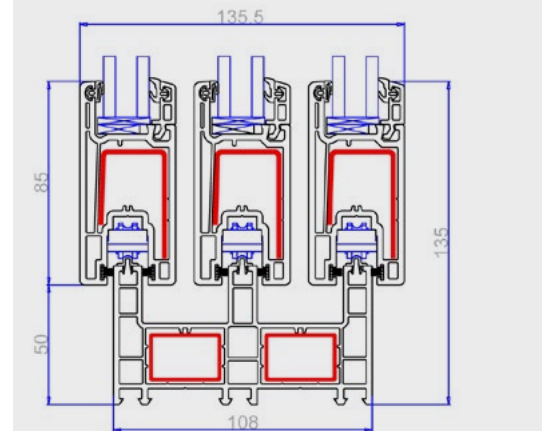
Standard White		White				
Laminated						moss green dark oak golden oak mahogany dark grey

MATRIX SS88

Type	Sliding Window & Door
System Depth	88 mm
U-Value	$U_f=2.3$ W/m ² ·K



↑ Window standard



↑ Door standard

VEKA Plastics (Singapore) Pte. Ltd.
10 Anson Road, #15-08
International Plaza
Singapore 079903
T: +65 6324 1533
E: infoasia@veka.com
W: www.veka-system.com



Xi'an - Astronautics 6th Institute Residential Project

The architecture of the residential project for the employees of Astronautics 6th Institute in Xi'an followed the Chinese building code, that above 7 storey building no outward opening windows are allowed to be used. However, customarily in Xi'an, inwards opening windows are not appreciated. Considering the good air tightness and sound insulation for the sliding window, VEKA MATRIX SS88 was chosen as the best solution for the project and also met the owner's budget.

Product	MATRIX SS88
U_f	2.3 W/m ² ·K
Glass Configuration	5ssLow-E + 9A + 5
U-Value	2.3 W/m ² ·K

