



The Quality Profile



SOFTLINE ISS190

Type	Sliding Window & Door
System Depth	190 mm
U-Value	$U_f=1.3 \text{ W/m}^2\text{-K}$

SOFTLINE ISS190

VEKA SOFTLINE ISS190 sliding window and door system is the world's most innovative uPVC sliding system solution.

In a joint development with ROTO Germany, custom-made sliding hardware from ROTO INOWA was incorporated in the development of the ISS190 system, allowing an all-around the sash sealing by EPDM/silicone gaskets. The ISS190 reaches performance levels for water, wind and air tightness comparable to a Tilt & Turn window. Active locking points on all 4 sides of the sash including the mullion, securely and strongly arrest the sash to the frames when the window or door is closed. Sliding sashes slide in-line, allowing secure, easy and smooth operation even when high-performance heavy glazing is used. The ISS190 is the perfect solution for sliding windows and doors, when wind resistance, air and water tightness must exceed what Lift & Slide solutions can deliver. Ever increasing insulation values for windows and doors require thick and heavy glass limiting the use of parallel sliding constructions by making their handling inconvenient. The solution is the in-line sliding design of the ISS190.

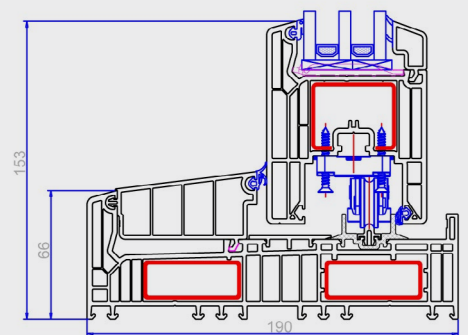
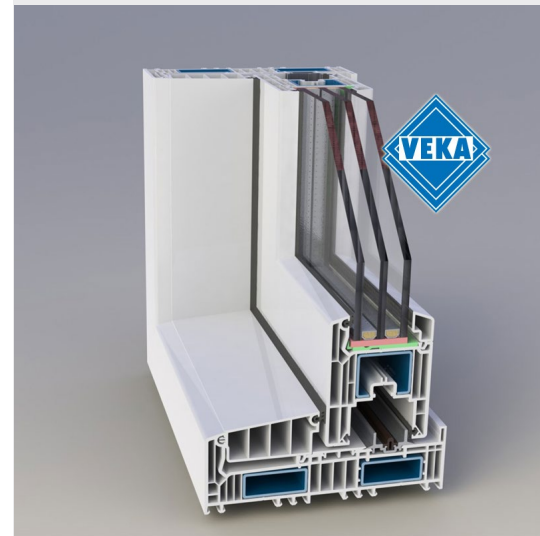
- ◆ System $U_f 1.3 \text{ W/m}^2\text{-K}$ (including steel reinforcements)
- ◆ System depth 190mm – 7 chambers
- ◆ Glazing width range from 22mm – 52mm
- ◆ Glazing depth 25mm
- ◆ Available in profile wall thickness “Class A”
- ◆ Joint development between VEKA and ROTO for the ROTO hardware system INOWA
- ◆ Low-energy-house ready

U-Values by Glass configuration

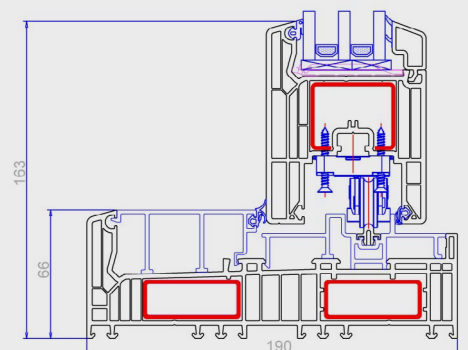
U-Value 3.0x2.2m door	Glass Thickness	Glass Configuration	Glass U-Value
1.0 W/m ² -K	47 mm	5ssLow-E+16Ar+5ssLow-E+16Ar+5 (warm edge)	0.78 W/m ² -K
1.3 W/m ² -K	39 mm	5ssLow-E+12Ar+5+12Ar+5 (warm edge)	1.16 W/m ² -K
1.5 W/m ² -K	22/24 mm	5dsLow-E+12/14Ar+5(warm edge)	1.40 W/m ² -K
1.8 W/m ² -K	22/24 mm	5ssLow-E+12/14A+5	1.75 W/m ² -K

Color options

Standard White		White		
Laminated				
Full color profile				
	brown	caramel	dark grey	



↑ Window standard



↑ Door standard

VEKA Plastics (Singapore) Pte. Ltd.
10 Anson Road, #15-08
International Plaza
Singapore 079903
T: +65 6324 1533
E: infoasia@veka.com
W: www.veka-system.com



Oversea Project

The owner of this villa wanted a sliding door but traditionally designed sliding door could not meet the requirements for water and air tightness. VEKA SOFTLINE ISS190 – with an all around gasket solution could match the owner's expectations. The ISS190 window and door system is widely used in high-end renovation projects, not only in China, but also in other countries especially in Korea.

Product	SOFTLINE ISS190
U_f	1.3 W/m ² ·K
Glass Configuration	5ssLow-E + 16Ar warm-edge + 5ssLow-E + 16Ar warm-edge + 5
U_w	1.0 W/m ² ·K

